

The NATIONAL TIME CXLP Series ceiling mount speaker and CXCLP Series strobe/speaker are designed to meet the code requirements for audio, visual and voice communications.

These series ceiling speakers provide 25 and 70.7 VRMS speaker output with field selectable power taps of 1/8W, 1/4W, 1/2W, 1W, 2W or 4W.

The CXCLP Series ceiling strobe provides a low operating current and a minimum flash rate of 1Hz across the rated input voltage range. The CXCLP candela intensity are field selectable in 15CD, 30CD, 75CD, 95CD or 115CD ratings.

The strobe component of the CXCLP Series operates from the synchronized outputs on the National Time Synchronized Series, Fire Alarm Control Panel or Notification Appliance Control Panel or from the Remote Power Supply.

The CXCLP and CXLP Series appliances are UL 464 and UL 1971 listed for use with fire protective signaling systems.

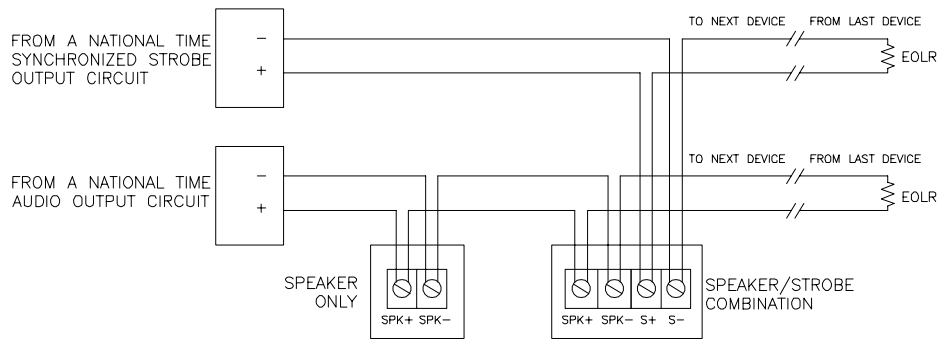


SG-CXCLPSSZ Series Shown

Features:

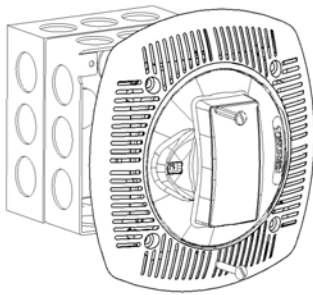
- Low Operating Current
- Easy Installation
- Tamper proof Grill
- Selectable Candela
- Selectable Voltage
- Selectable Power taps
- Terminals 12 to 18 AWG
- Strobe Synchronization
- ADA Compliant; NFPA 72
- U.L. Listed

Wiring Diagrams

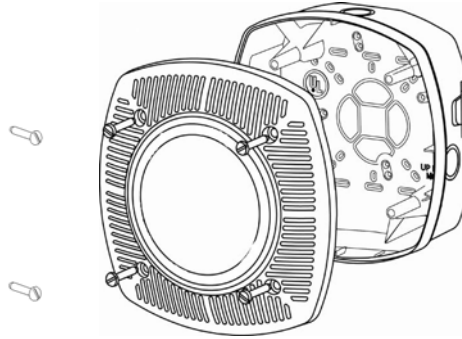


Mounting Options

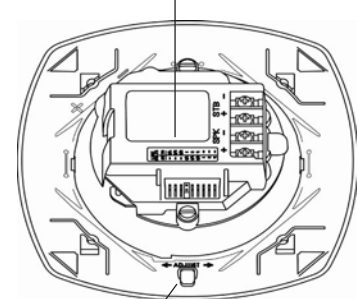
Flush mount to a 4" square
x 2 1/8" backbox



Surface mount to a SG-
GBLP backbox



Speaker Wattage and Voltage
Selection Jumper



Turn dial for candela
setting. Displayed number
reflects selected candela.

Ordering Information

	Model Number	Nominal Voltage	Candela	Strobe Current		Rated Watts Selection (@ 25V & 70.7V)
				24VDC	UL max ¹	
Speaker/ Strobe	SG-CXCLPSSZ	24 VDC	15	72mA	120mA	1/8, 1/4, 1/2, 1, 2, 4
			30	88mA	130mA	
			75	176mA	272mA	
			95	200mA	318mA	
			115	214mA	360mA	
Speaker only	SG-CXLPSN	--	--	--	--	

When ordering, please specify style by adding the following to the end of the model number: "-WH" = White Version

¹RMS current ratings are per UL average RMS method. UL max rating is the maximum current throughout the operating voltage range (16-33VDC)

Model	Wattage Rating	dBA @ 10 Feet Per UL 1480
SG-CXCLP Series Speaker	1/8	73.7
	1/4	76.7
	1/2	79.6
	1	82.5
	2	85.4
	4	87.9

Surface mount box model number SG-GBLP